

## ±10° Single-Axis Mid-Range Electrolytic Tilt Sensor

Part Numbers: **0737-0101-99** and **0719-3705-99**

### Operating Specifications

Operating Range	±10°
Linear Range	±5°
Axes of Measurement	1
Repeatability	≤0.0006°
Resolution	≤0.0003°
Null Offset (PN 0719-3703-99 only)	≤0.003°
Long Term Stability/Drift	≤0.0006°
Operating Temperature	-20 °C to 50 °C
Storage Temperature	-55 °C to +125 °C
Null Impedance	3.6 kΩ
Time Constant (63.2% of final output)	≤500 ms
Materials	Non-magnetic
Maximum Current at Null	5 mA (continuous)

### Physical Characteristics

Length	29 mm (1.13")
Diameter	8 mm (0.33")
Lead Length	381 mm (15.0")
Wire Gauge	30 AWG
Weight	4 g

### 0719-3705-99 (encapsulated sensor)

Length	41 mm (1.63")
Width	13 mm (0.5")
Height	16 mm (0.625")
Post Diameter	2 mm (0.086")
Post Height	9 mm (0.37")
Lead Length	381 mm (14.0")
Wire Gauge	30 AWG
Weight	21 g

### Ordering Information

Part Number	Description
0737-0101-99	Glass Tilt Sensor, ±10°, 1 Axis
0719-3705-99	Encapsulated Tilt Sensor, ±10°, 1 Axis

### Compatible With

Part Number	Description
1-6200-005	Signal Conditioner, SPI
1-6200-006	Signal Conditioner, RS-232
1-6200-007	Signal Conditioner, Analog/PWM
1-6200-008	Signal Conditioner, RS-485
1-6200-012	Signal Conditioner, Analog/RS-232

### Related Products

Part Number	Description
0703-1602-99	Tilt Sensor, ±25°, 1 Axis

**Click to Buy Online from Fredericks Now!**

### Description

The **0737-0101-99** mid-range electrolytic tilt sensor provides extremely high accuracy position measurements in one axis over a ±10° angle range. This tilt sensor can also be encapsulated (PN **0719-3705-99**) to simplify integration into a larger system.

This is a passive electrolytic tilt sensor that requires signal conditioning electronics to provide an output. For a list of compatible signal conditioners, see the Compatible With section.

### Key Features and Benefits

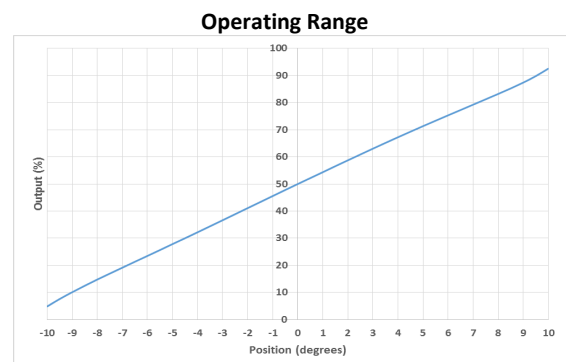
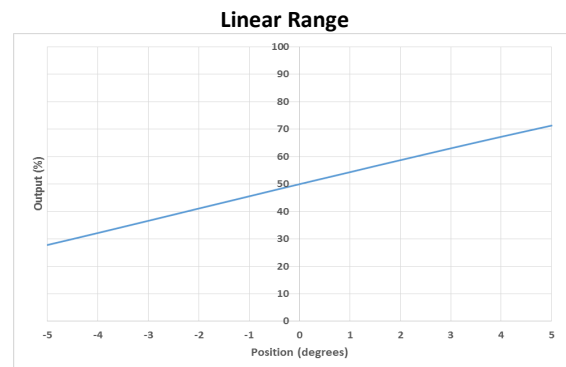
- ≤0.0006° repeatability, ≤0.0003° resolution, very high accuracy
- ≤0.0006° long term drift with an extremely long life
- Minimal drift compared to MEMS devices
- -20 °C to 50 °C operating temperature for industrial applications
- Live text and video chat technical support

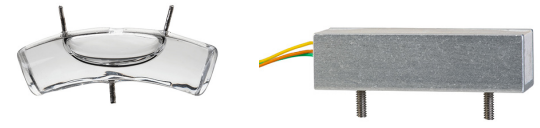
### Applications

- [Geotechnical and structural monitoring](#)
- Tilt meters, tilt beams, and horizontal inclinometers
- Machine tool leveling
- Zero reference

View the full list at [www.frederickscompany.com/markets](http://www.frederickscompany.com/markets).

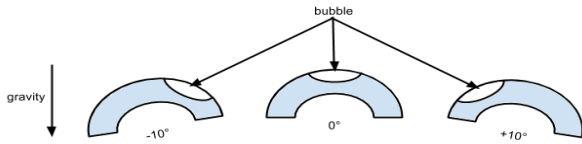
### Linear and Operating Range Behavior





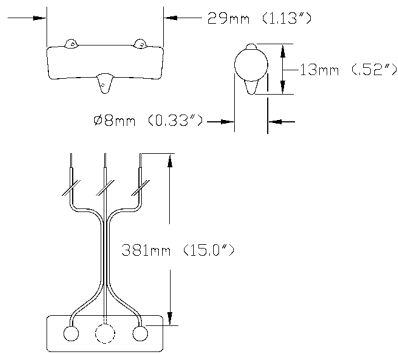
**±10° Single-Axis Mid-Range Electrolytic Tilt Sensor**  
**Part Numbers: 0737-0101-99 and 0719-3705-99**

**Functional Diagram**

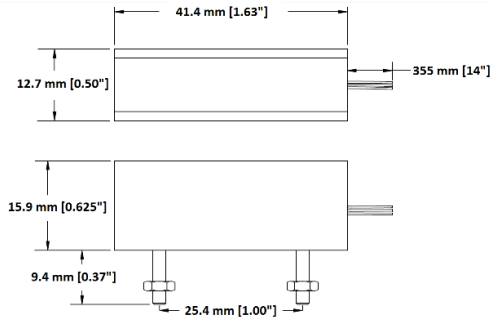


**Dimensional Drawings**

**0737-0101-99**

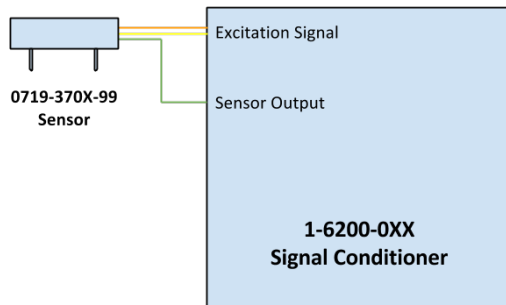


**0719-1138-99**



**Test Circuit**

All data was acquired with a Fredericks Company Dual Axis 6200 Series Signal Conditioner in single axis mode at 20 °C. A general schematic of our signal conditioners is provided below. Further information on sensor excitation and excitation circuitry is provided on [The Fredericks Company website](#) and in the [application note AN1000](#).



**Certifications and Ratings**

- RoHS Compliant

**Notes**

When using an excitation circuit not designed by The Fredericks Company, ensure that no direct current passes through the sensor. Direct current will lead to sensor damage, output drift, and general instability. For a description of hardware and software design for this sensor, see [application note AN1000](#).

The [0737-0101-99](#) and [0719-3705-99](#) must be mounted horizontally (parallel to the surface of the earth and perpendicular to the force of gravity). For best performance, isolate the sensor from vibrations when mounting it.

**Additional Documentation**

- [AN1000 Electrolytic Tilt Sensor Excitation](#)
- [AN1005 Converting Tilt Angle to Degrees](#)

**Company Information**

**Specialty Manufacturing Services That Promise Precision** - Since 1935, The Fredericks Company has been a global provider and U.S. designer and manufacturer of the highest performance tilt and vacuum measurement products on the market, with manufacturing processes that ensure the reliability of our products.

**Tilt Measurement Products and Sensors That Set Standards** - Fredericks' comprehensive tilt measurement product portfolio offers [electrolytic tilt sensors](#), [inclinometers](#), and [tilt switches](#). Engineered to outperform competing technology, our tilt sensors are accurate and repeatable with excellent resolution. Our tilt measurement products have no planned obsolescence and serve industries ranging from [construction](#) and [RV leveling](#) to aerospace applications and everything in between.

**A Partnership That Prioritizes Uptime, Lead Time, and Service** - Fredericks guarantees customer satisfaction and our "not too big, not too small" operation is what enables us to offer a true partnership experience. Our dedicated representatives and engineers offer exceptionally responsive service and the fastest lead times in the industry, knowing that uptime is the key to your success. With anytime access to our leadership team and solutions that enhance your products, you will feel the Fredericks difference.

**Contact Us**

The Fredericks Company  
 2400 Philmont Avenue  
 Huntingdon Valley, PA 19006  
 tel: +1 215 947 2500  
 fax: +1 215 947 7464  
 email: [sales@frederickscompany.com](mailto:sales@frederickscompany.com)  
 web: [www.frederickscompany.com](http://www.frederickscompany.com)

Disclaimer: Specifications subject to change without notice. The Fredericks Company assumes no responsibility for inaccuracies in product specifications or any liability arising from product use.  
 © 2022 The Fredericks Company