



## 7E Double Inverted Magnetron Cold Cathode Vacuum Gauge

### Part Number: 2-2142-0XX

#### Operating Specifications

<b>Operating Range</b>	1*10 <sup>-8</sup> Torr to 1*10 <sup>-2</sup> Torr
<b>Analog Output</b>	Controller-dependent
<b>Supply Voltage</b>	Controller-dependent
<b>Mounting Orientation</b>	Any
<b>Calibration Medium</b>	Dry air or nitrogen
<b>Overpressure</b>	150 PSI
<b>Analog Output Resolution</b>	Controller-dependent
<b>Operating Temperature</b>	0 °C to 50 °C
<b>Storage Temperature</b>	-20 °C to 70 °C
<b>Continuous Bakeout Temperature</b>	150 °C
<b>Response Time</b>	≤ 10 ms
<b>Accuracy</b>	
1*10 <sup>-7</sup> to 1*10 <sup>-2</sup> Torr	±0.2 decade

#### Physical Characteristics

<b>Electrical Connections</b>	SHV5
<b>Weight</b>	390 g (0.86 lbs) (NW25)
<b>Dimensions</b>	See dimensional drawings

#### Key Features and Benefits

- Cleanable design for extended use
- Compact design
- Improved sensitivity when compared to Penning Magnetrons
- Mountable in any orientation
- Minimal stray magnetic field
- Interchangeable with 7F, 7FC, and 7FCS

#### Applications and Industries

- Medical particle accelerators
- National labs, research and development
- Semiconductor
- Thin film deposition

#### Ordering Information

Part Number	Description
2-2142-013	1" Straight
2-2142-030	NW16/KF16 Stainless Steel
2-2142-031	NW25/KF25 Stainless Steel
2-2142-032	NW40/KF40 Stainless Steel
2-2142-052	CF40/2.75" CF-F Stainless Steel

#### Compatible Vacuum Controllers

Part Number	Description
2-7900-034	MX200 Vacuum Controller RS-232/RS-485/USB
2-7900-037	MX200 Vacuum Controller Ethernet/IP/USB

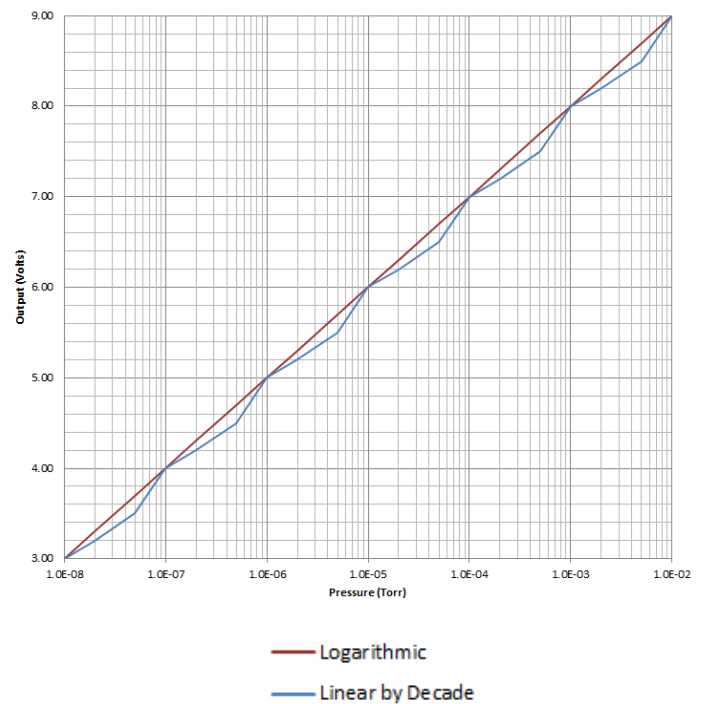
[Click to Buy Online from Fredericks Now!](#)

#### Description

The 7E cold cathode vacuum gauge has a measurement range from 1\*10<sup>-8</sup> Torr up to 1\*10<sup>-2</sup> Torr. It indirectly measures absolute pressure by ionizing gas in the presence of a magnetic field. Unlike hot filament sensors, the 7E is resistant to inrushes of gas. The design of this sensor allows for easy disassembly enabling quick cleaning and extended use.

The 7E can be operated by the Televac® MX200 vacuum controller. This controller will automatically operate the cold cathode to provide a full range vacuum measurement solution when the 7E is used in conjunction with rough vacuum sensors like the 2A thermocouple or 4A convection.

#### Analog Output Behavior



Analog output scaling example, see the specific controller/active gauge manual for all available analog output scaling options.

#### Materials Exposed to Vacuum

Stainless Steel  
 Ceramic  
 Fluorocarbon Elastomer

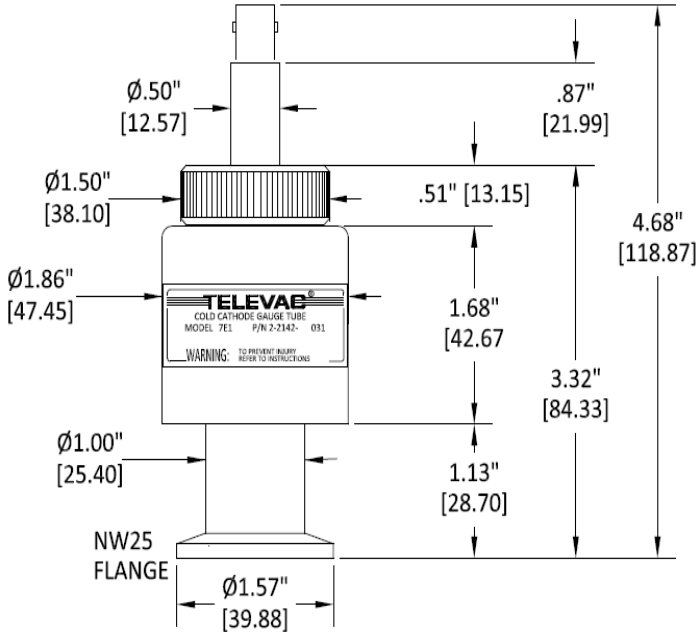
#### Ratings and Compliance

- RoHS compliant



**7E Double Inverted Magnetron Cold Cathode Vacuum Gauge**  
**Part Number: 2-2142-0XX**

**Dimensional Drawing**



**Additional Documentation**

- [AN3002](#) [Cleaning the 7B and 7E Cold Cathode Vacuum Gauges](#)
- [AN3010](#) [Torr Scientific/Torr Decimal/mTorr/Micron Conversions](#)
- [AN3015](#) [Recommended Practices for Vacuum Calibration](#)
- [AN3020](#) [Vacuum Terminology Reference](#)
- [Video](#) [7E Cold Cathode Vacuum Gauge Disassembly Video](#)
- [Resource](#) [Televac® Tolerances](#)

**Company Information**

**Specialty manufacturing services that promise precision -** Since 1935, Fredericks has specialized exclusively in tilt and vacuum measurement products. Today, our precise manufacturing processes produce the most accurate and advanced products on the market, ensuring perfection every time. A true specialty service provider, we are willing and eager to put our experience and capabilities to good use, helping OEMs achieve even the most complex designs.

**High performance products designed and manufactured with pride -** Fredericks is a global provider and U.S. manufacturer and designer of high-performance tilt and vacuum measurement products. Built to last, our products are made with state-of-the-art sensing technology, proven processes, and an intrinsic passion for the trade. Offering simple integration and quality and safety benchmarks, our customers benefit not just from standard-setting reliability, but from our commitment to competitive pricing and performance.

**A partnership that prioritizes uptime, lead time, and service -** Fredericks guarantees customer satisfaction and our 'not too big, not too small' operation is what enables us to offer a true partnership experience. Our dedicated representatives and engineers offer exceptionally responsive service and some of the fastest lead times in the industry, knowing that uptime is the key to your success. With anytime-access to our leadership team and solutions that enhance your products, you will feel the Fredericks difference.

**Vacuum measurement tools built for the toughest jobs -** Fredericks' world-class vacuum sensors, gauges, and control instrumentation are engineered for the most demanding applications and environments. Our patented Televac® and ETI vacuum brands feature cold-cathode technology, thermocouple and convection gauges, and precision-manufactured hot ionization gauges. Dedicated solely to vacuum gauging and calibration services, we provide industrial heating, national laboratories, cryogenics, and industrial gas applications, among many others, with fast lead times and industry-leading performance. Covering the entire practical vacuum range, our products deliver rapid response vacuum readings and sensitivity.

**Contact Us**

The Fredericks Company  
 2400 Philmont Avenue  
 Huntingdon Valley, PA 19006  
 tel: +1 215 947 2500  
 fax: +1 215 947 7464  
 email: [sales@frederickscompany.com](mailto:sales@frederickscompany.com)  
 web: [www.frederickscompany.com](http://www.frederickscompany.com)

Disclaimer: Specifications subject to change without notice. The Fredericks Company assumes no responsibility for inaccuracies in product specifications or any liability arising from product use.  
 © 2022 The Fredericks Company